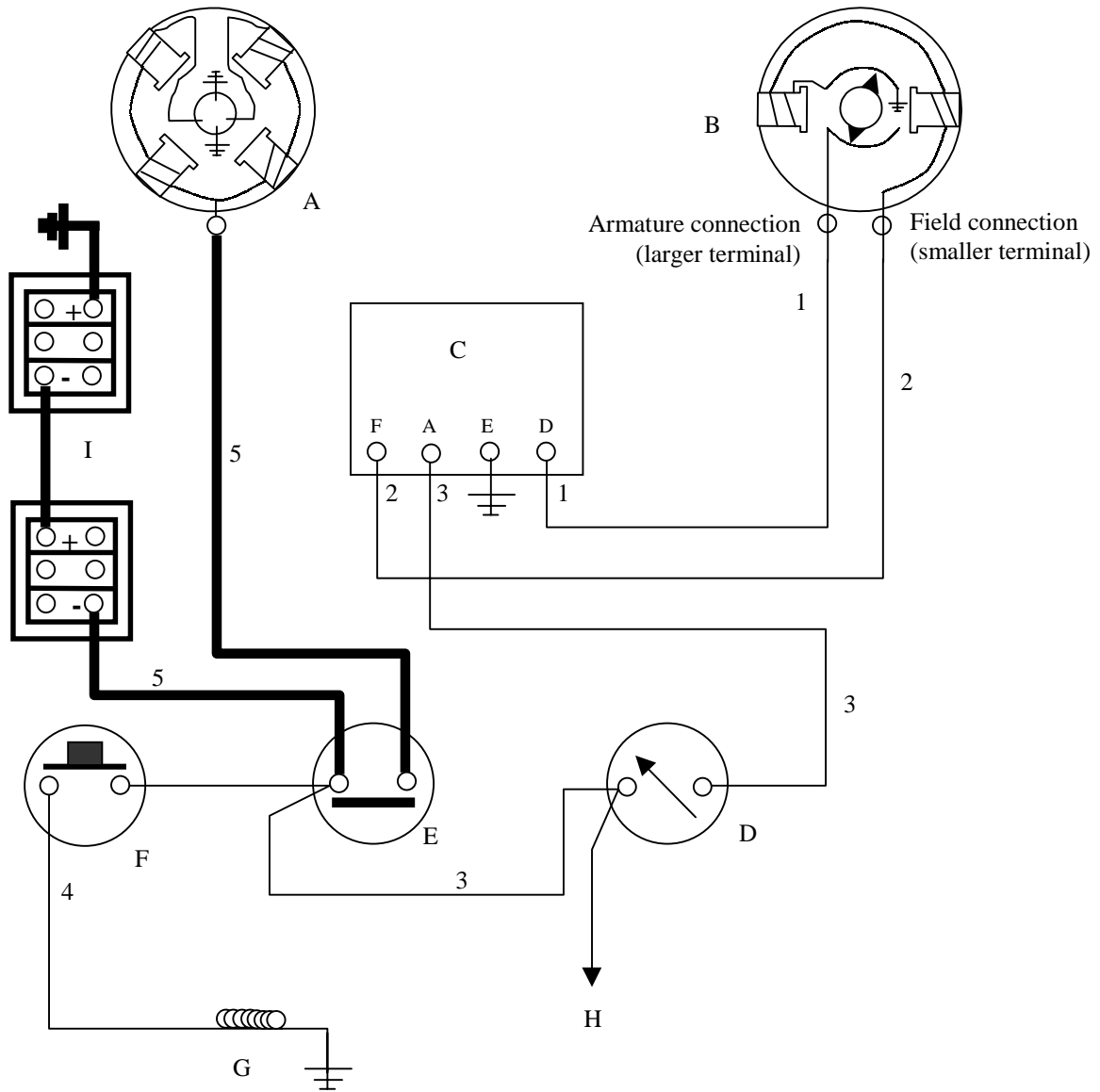


# WIRING DIAGRAM FOR 12-Volt TEF 20



**KEY**

- |   |   |
|---|---|
| <p><b>A</b> Starter Motor</p> <p><b>B</b> Dynamo</p> <p><b>C</b> Control Box</p> <p><b>D</b> Ammeter</p> <p><b>E</b> Starter Switch</p> <p><b>F</b> Heater Switch</p> <p><b>G</b> Heater Coil</p> <p><b>H</b> Connection To Light Switch</p> <p><b>I</b> 2 x 6 Volt Batteries</p> | <p><b>1</b> Yellow</p> <p><b>2</b> Green &amp; Black</p> <p><b>3</b> Yellow &amp; Black</p> <p><b>4</b> White</p> <p><b>5</b> Battery Cable</p> |
|---|---|